

ASTM CATEGORY 5 : GRAVITY RIDING FOCUSED ON THE DESCENT

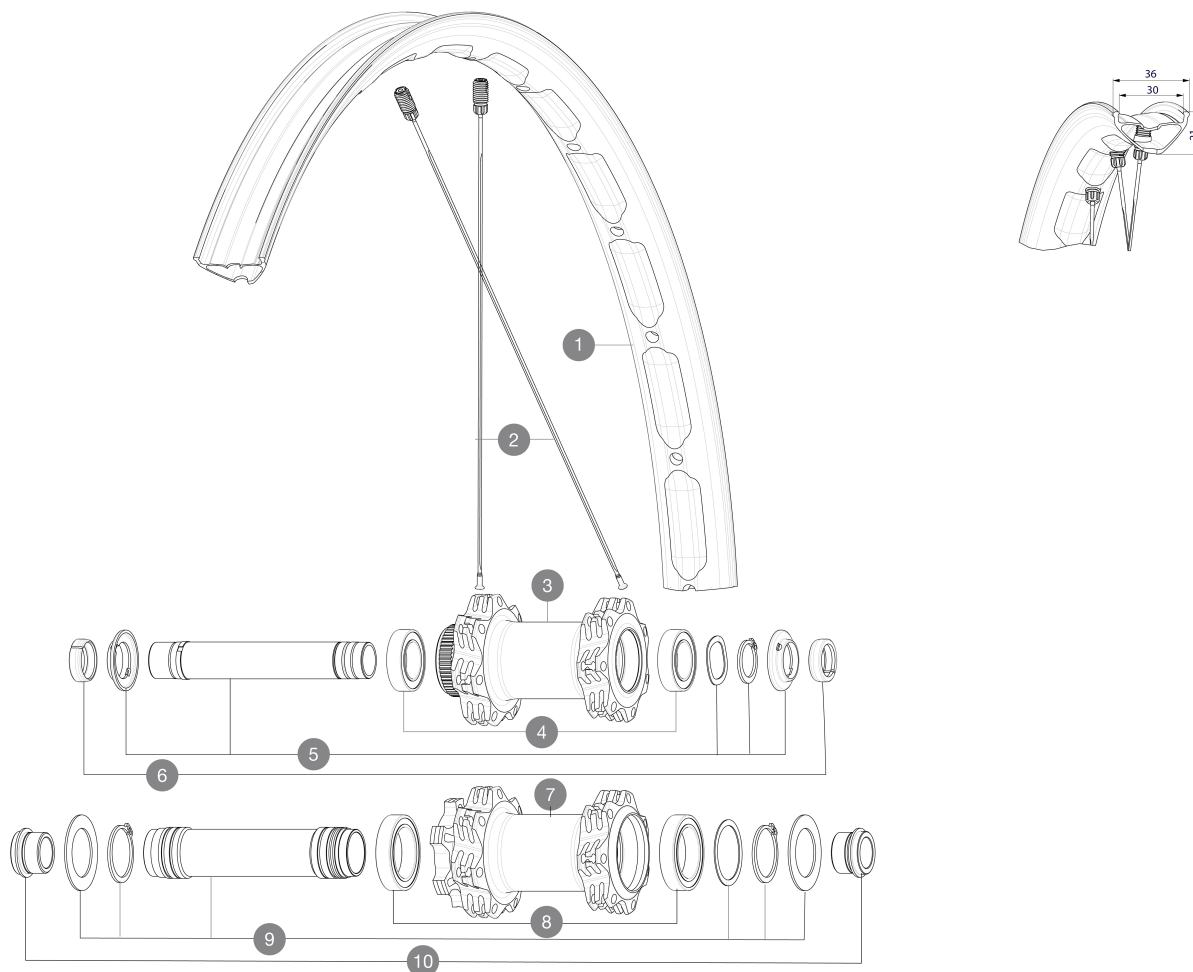
For a longer longevity of the wheel, Mavic recommends that the total weight supported by the wheels doesn't exceed 150kg, bike included

Recommended tyre sizes: 60mm to 76mm (2.35" to 3.0")

## REFERENCES WHEELS

F91623 E-Deemax S 30 29 Ft Bst\*

F91633 E-Deemax S30 29DCL Ft Bst\*



## RIMS



&NBSP::

1	V3750101	35mm UST Green Tape for 30mm wide rims
	V3766415	Kit Front/Rear rim eDeemax S 29

## SPOKES

2	V2388501	Kit 14 Front eDeemax S 29" butted spoke 306 M7/7
---	----------	--

## HUB SHELLS

3	N/A	HUB BODY
4	V2500901	KIT BEARINGS 18x30x7 + WAVED WASHER + CLIP
5	V2375601	Kit 110mm axle QRM auto MTB from 2019 DCL
6	V2372501	15mm MTB Axle Cap QRM Auto From 2019
7	N/A	HUB BODY
8	M40179	FRONT HUB BEARING KIT 20mm AXLE
9	V2373701	KIT 20x110mm BOOST AXLE QRM AUTO MTB > 2019
10	12982801	ADAPTER Ft 20 to 15mm

**MAVIC** *E-Deemax S30 29***DELIVERED WITH**

UST valve and accessories (129 838 01)	
Multifonction adjustment wrench (delivered with rear wheel) (325 423 01)	
2 replacement spokes with each wheel	
Fore adjustment wrench	

**COMPATIBILITY**

Front axle: 15x110 Boost, convertible to 20x110 Boost thru axle with adapters	
Freewheel: Shimano HG9, XD or Micro Spline	
Rear axle: 12x148 Boost thru axle	

**Specifications****RIMS**

- **Material** : Maxtal
  - **Material** : S6000 Aluminum
  - **Weight reduction** : ISM
- E-Bike specific rim profile
- **Tire** : UST Tubeless and tubetype
  - **Internal width** : 30 mm
- Black Shield treatment (protects your rim against impacts and scratches)
- **ETRTO size 29"** : 622x30TC
- Pinch Flat Protection sidewall (minimizes the risk of tire cuts and punctures)
- Asymmetrical rim design
- Fore  
SUP

**SPOKES**

- **Material** : steel
- **Shape** : straight pull, flat, double butted
- **Nipples** : Fore integrated aluminum
- **Count** : 28 front and rear
- **Lacing** : front and rear crossed 3, contactless

**WHEEL HUB**

Hub available with 6-bolt or center lock (R) brake rotors

- **Axles** : Front 15X110 Boost ; Rear 12X148 Boost

Instant Drive 360  
QRM Auto

**VERSIONS**

- **Disc standard** : 6 Bolts or Center Lock (R)
- **Hub width** : Boost only (front 110, rear 148)
- **Freewheel** : SRAM XD, Shimano HG9, Shimano Micro-Spline

**WHEEL WEIGHTS**

960